

“We Move Air”



The Curvent Pinnacle ventilator is a natural roof turbine ventilator offering continuous ventilation with no operating costs. The turbine head starts spinning when heat is extracted through the turbine throat. The spinning turbine head, assisted by the wind, creates an extraction vortex below that will remove hot stale air from the building. Cool fresh air is then replaced through louvres and other openings at low level, vastly improving indoor air quality. The ventilator is designed to fit any roof profile. The Curvent Pinnacle roof turbine ventilator is guaranteed for 5 years and is renowned for its extremely robust construction. Its continuous natural ventilation capabilities requires minimal maintenance, making this ventilator the most cost-effective system to naturally ventilate any building. Available in slope mounted units or ridge mounted units, the low profile construction and curved blades offer appealing aesthetics.

Product Materials Finishes:

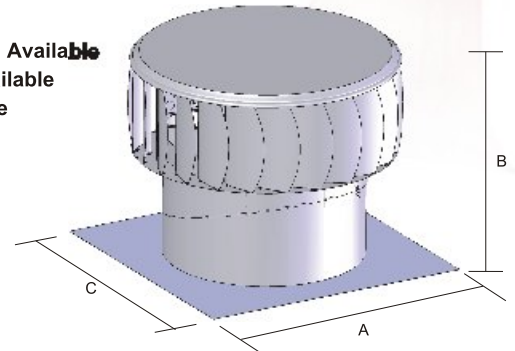
- Galvanised
- Aluminum
- Zincalume
- Stainless Steel
- Powder Paint
- Chromadeck

Optional Accessories

- Ceiling Grilles Adaptors
- Flexible Duct Adaptors
- Winter Dampers
- Winter Socks
- Ridge Adaptors
- Short Throat
- Heat Shield
- Trimmers

Product Features

- Manual Operation Winter Dampers Available
- Ridge or Slope Mounted Units Available
- Reduce Building Structural Fatigue
- Extremely Robust Construction
- Material Finish Alternatives
- Increase Indoor Air Quality
- 5 Year Product Guarantee
- Cost-effective Ventilation
- Continuous Extraction
- Superior Aesthetics
- No Operating Cost



Model Type	CPT250	CPT300	CPT400	CPT610
Throat Dimension (A) in mm	250	300	400	610
Overall Height (B) in mm	440	465	540	640
Head Dimensions	370	440	560	810
Base Plate Dimension (C) in mm ²	400	500	600	850
Maximum Installation Angle	45°	45°	45°	40°
Mild Steel Mass (Kg)	13	22	25	35
Box Dimension (mm)	460W x 460L x 510H	500W x 500L x 500H	600W x 600L x 600H	880W x 880L x 740H
Estimated Rate of Extraction at 15km/h Wind Speed	1400m ³ /h	1450m ³ /h	3900m ³ /h	6800m ³ /h

SPECIFICATION PROCEDURE:

The volume of space to be ventilated is estimated and multiplied by the number of air changes per hour and divided by the extraction rates of the roof turbine. The table gives a guide to the number of air changes generally recommended taking into consideration greater air changes due to the nature of the application.

(Source: BB Daly; Woods Practical Guide to Fan Engineering; 3rd Edition; 1978; p.14)

Typical Situations	Air Changes
Residences, Churches, Storage Areas	1-2
Libraries, Banks, Classrooms	2-4
Offices, Assembly Halls, Laboratories	4-6
Hospital Wards, Treatment Rooms, WC's, Bars	6-8
Theatres, Cinemas, Garages, Workshops	6-10
Cafes, Canteens, Dance Halls	8-12
Restaurants, Domestic Kitchens, Laundries	10-15
Bakeries, Boiler Houses, Engine Rooms	15-30
Paint Shops, Foundries, Furnace Rooms	30-60

- 1) Select the Model in accordance with the ventilation requirements
- 2) Select the ventilator material type (i.e. Aluminium, Chromadek or Galvanised)
- 3) Select any accessories required (Trimmers etc.)

EXAMPLE:

A specification for a 260m² room with a roof height of 6m with 10 air changes per hour natural ventilation required, manufactured in Aluminium material with Trimmers would be:

CALCULATION:

Area x Roof Height x Air Changes per Hour ÷ Extraction Rate 260m² x 6m x 10 ÷ 3900 (Extraction rate of the Curvent Pinnacle CPT400) = 4 x Curvent Pinnacle type CPT400 Roof Turbine Ventilators

SPECIFICATION DESCRIPTION:

4 x Curvent Pinnacle type CPT400 roof turbine ventilators, Aluminium material with Trimmers, installed in accordance with the manufacturers detailed instructions: Curvent International (Pty) Ltd, Tel: +27 11 826 5959 Fax: +27 11 826 3275

e-mail: sales@curvent.co.za

Head Office: Gauteng

Tel: +27 (0)11 826 5959
Fax: +27 (0)11 826 3275
75 North Rand Road, Hughes,
Boksburg, 1459
P.O. Box 26662
East Rand
1462
South Africa

Cape Region

Tel: +27 (0)21 556 0430
Fax: +27 (0)21 556 2218
5B McClaren Rd,
Racing Park,
Killarney,
Cape Town



Est. 1984
National Call Centre: 08610 83675
08610 83687
www.curvent.co.za
sales@curvent.co.za