

“We Move Air”



The Curvent Fire King S ventilator is a dual purpose slope mounted smoke and heat exhaust ventilator. The ventilator combines comfort with life safety. The ventilator offers permanent natural day to day ventilation of hot stale air within the building which is replaced with cool fresh air through fixed louvres and other openings at low level, vastly improving indoor air quality. In the event of fire, the ventilator doors automatically open on gravity to allow hot gasses to exhaust. This will aid in the building's structural integrity against building collapse. The smokeless layer of fresh air created at lower level creates safe evacuation passage for people and assist in fire fighting disciplines. The flowing curved lines of the ventilator enhance the coefficient capabilities and provides appealing aesthetics. The ventilator is manufactured using Computerized Numeric Control machines, completely eliminating manufacturing flaws. The ventilator is transported in knock down format to protect it against damage. The ventilator features a unique user friendly “Clip-On” installation system allowing fast and easy installation procedures that will reduce installation time and cost.

Product Materials Finishes:

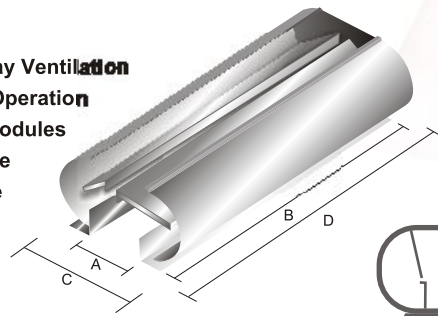
- Galvanised
- Aluminum
- Zincalume
- Stainless Steel
- Powder Paint
- Chromadeck

Optional Accessories

- Burglar Guards
- Roof Closures
- Bird Guards
- Electromechanical Operation
- Pneumatic Operation
- Winter Dampers

Product Features

- Fire & Natural Day to Day Ventilation
- Standard Fusible Link Operation
- Continuous or Single Modules
- Extremely Cost-Effective
- Year product Guarantee
- Suit Most Roof Profiles
- Minimal Maintenance
- Robust Construction
- Superior Aesthetics



Fire Doors Open



Fire Doors Closed

Slope Mounted Model Type	FK450S	FK600S	FK750S
Aggregate Throat Area (Fire Doors Open)	0.9m ²	1.2m ²	1.5m ²
Free Measured Throat Area (Av)	0.9m ²	1.2m ²	1.5m ²
Coefficient of Discharge (Cv)	0.68	0.68	0.68
Aerodynamic Free Area (AvCv)	0.61m ²	0.82m ²	1.02m ²
Aggregate Throat Dimensions (AxB) in mm	450W x 2000L	600W x 2000L	750W x 2000L
Overall Ventilator Dimensions (Cx D) in mm	1010W x 2120L	1210W x 2120L	1530W x 2120L
Purlin Spacing Required in mm	2000	2000	2000
Mild Steel Mass (Kg)	73	82	88

SPECIFICATION PROCEDURE:

- 1) Select the Model in accordance with the ventilation requirements and roof purlin spacing
- 2) Select the ventilator material type (i.e. Aluminium, Chromadek or Galvanised)
- 3) Select the fusible link activation temperature (Normally 72°C)
- 4) Select a secondary opening system if required (Normally 24V DC Electromechanical)
- 5) Select any accessories required (i.e. Bird Guards, Burglar Bars, Rain Detectors)

EXAMPLE:

A specification for 12m² Free Measured Throat Area (Av) refi ventilation required with 2000mm roof purlin spacing available at the apex of the roof, manufactured in Chromadek material, colour Fish Eagle White, electromechanically operated, with bird guards would be:

CALCULATION:

Ventilation required ÷ Free Measured Throat Area (Av)

12m² ÷ 1.2m² (Av of the Fire King FK600S)

10 x Curvent Fire King type FK600S Ventilators

SPECIFICATION DESCRIPTION:

10 x Curvent Fire King type FK600S slope mounted multipurpose fire ventilators, Chromadek material, colour Fish Eagle White, with fusible links to activate at 72°C, complete with 24V DC electromechanical operating system and bird guards, installed in accordance with the manufacturers detailed installation specifications.

Curvent International (Pty) Ltd, Tel: +27 11 826 5959, Fax: +27 11 826 3275, e-mail: sales@curvent.co.za

Head Office: Gauteng

Tel: +27 (0)11 826 5959
 Fax: +27 (0)11 826 3275
 75 North Rand Road, Hughes,
 Boksburg, 1459
 P.O. Box 26662
 East Rand
 1462
 South Africa

Cape Region

Tel: +27 (0)21 556 0430
 Fax: +27 (0)21 556 2218
 5B McClaren Rd,
 Racing Park,
 Killarney,
 Cape Town



Est. 1984

Ventilation & Fire Ventilation Specialists

National Call Centre: 08610 VENTS
 08610 83687

www.curvent.co.za
 sales@curvent.co.za