

"We Move Air"

CURVE KING - S

NATURAL STATIC SLOPE MOUNTED VENTILATORS



The Curvent Curve King-S is a slope mounted natural static ventilator. The patented curved sides enhances the co-efficient capabilities of the ventilator and provides appealing aesthetic. The Curvent Curve King will ventilate hot stale air within the building which is then replaced with cool fresh air through fixed louvres and other openings at low level, vastly improving working conditions and productivity. As an optional extra, a manual ground cable control system can operate winter dampers to shut ventilation. The ventilator is designed to fit any roof profile. The ventilator is manufactured using Computerized Numeric Control machines, completely eliminating manufacturing flaws. The ventilator is transported in knock down format to protect it against transit damage. The ventilator features a unique user friendly "Clip-On" installation system allowing fast and easy installation procedures that will reduce installation time and cost. This ventilator is renowned for its extremely robust construction. Its continuous natural ventilation capabilities and no maintenance, makes it a cost effective system to naturally ventilate any building. The flowing curved lines of the ventilator remains the first choice with architects, engineers and specifiers.

Product Materials Finishes:

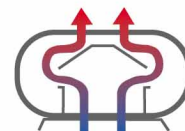
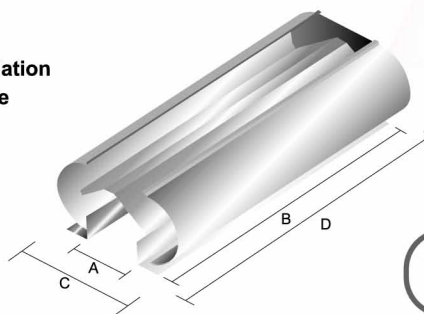
- Galvanised
- Aluminum
- Zincalume
- Stainless Steel
- Powder Paint
- Chromadeck

Optional Accessories

- Burglar Guards
- Bird Guards
- Winter Dampers
- Roof Closures

Product Features

- Natural Day to Day Ventilation
- 1 Year Product Guarantee
- Extremely Cost-Effective
- Suit most Roof Profiles
- Unique Clip-On System
- Robust Construction
- Superior Aesthetics
- No Operating Cost
- No Maintenance



Slope Mounted Model Type	CK300S	CK450S	CK600S	CK750S
Aggregate Base Throat Area	0.6m ²	0.9m ²	1.2m ²	1.5m ²
Free Measured Throat Area (Av)	0.54m ²	0.6m ²	0.69m ²	1.06m ²
Aggregate Base Throat Dimensions (AxB) in mm	300W x 2000L	450W x 2000L	600W x 2000L	750W x 2000L
Overall Ventilator Dimensions (CxD) in mm	810W x 2120L	1010W x 2120L	1210W x 2120L	1530W x 2120L
Purlin Spacing Required in mm	2000	2000	2000	2000
Mild Steel Mass (Kg)	36	47	68	88

Head Office: Gauteng

Tel: +27 (0)11 826 5959
 Fax: +27 (0)11 826 3275
 75 North Rand Road, Hughes,
 Boksburg, 1459
 P.O. Box 26662
 East Rand
 1462
 South Africa

Cape Region

Tel: +27 (0)21 556 0430
 Fax: +27 (0)21 556 2218
 5B McClaren Rd,
 Racing Park,
 Killarney,
 Cape Town

SPECIFICATION PROCEDURE:

- 1) Select the Model in accordance with the ventilation requirements and roof purlin spacing
- 2) Select the ventilator material type (i.e. Aluminium, Chromadek or Galvanised)
- 3) Select any accessories required (i.e. Bird Guards, Burglar Bars)

EXAMPLE:

A specification for 6.9m² Free Measured Area (Av) natural ventilation required with 2000mm roof purlin spacing available at the apex of the roof, manufactured in Chromadek material, colour Fish Eagle White, with bird guards would be:

CALCULATION:

Ventilation required ÷ Free Measured Throat Area (Av) 6.9m² ÷ 0.69m² (Av of the Curve King CK600S)
 = 10 x Curvent Curve King type CK600S Ventilators

SPECIFICATION DESCRIPTION:

10 x Curvent Curve King type CK600S slope mounted natural static ventilators, Chromadek material, colour Fish Eagle White, with bird guards, installed in accordance with the manufacturers detailed installation specifications.

Curvent International (Pty) Ltd, Tel: +27 11 826 5959, Fax: +27 11 826 3275, e-mail: sales@curvent.co.za

 **CURVENT**
 INTERNATIONAL (PTY) Ltd
 Est. 1984 Ventilation & Fire Ventilation Specialists
 National Call Centre: **08610 VENTS**
08610 83687
www.curvent.co.za
sales@curvent.co.za